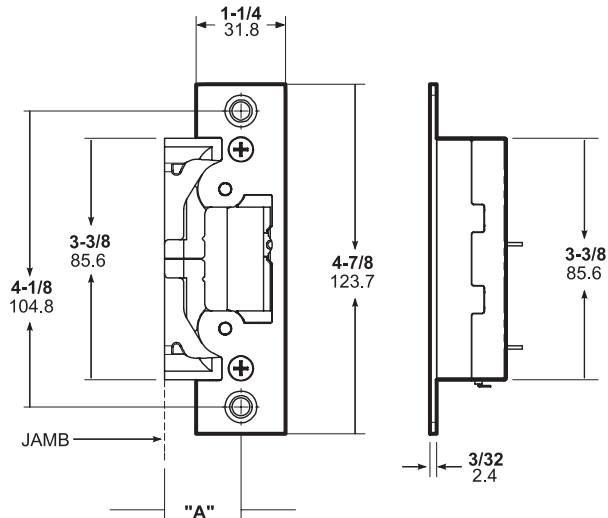
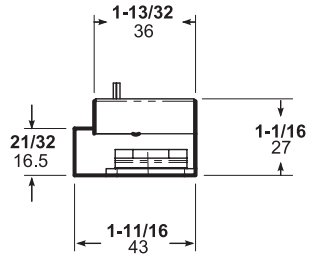


DIMENSIONS

INCHES
MILLIMETERS

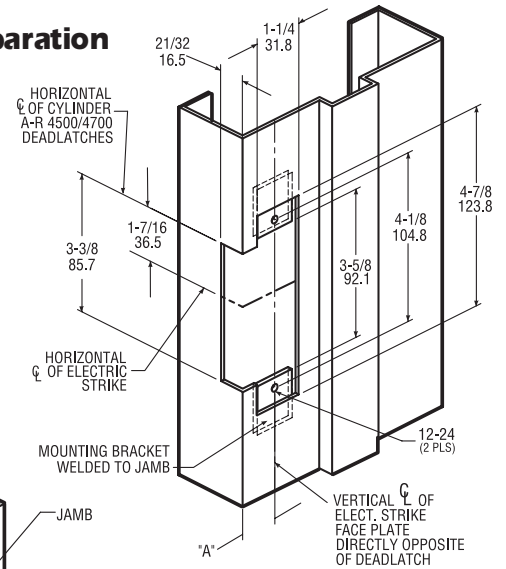
Nominal, subject to tolerance extremes.



STANDARD UNIT FITS DIM "A" 1-1/16" (SEE DASH NO.)
MOUNTING BACKSETS FURNISHED

INSTALLATION

Jamb Preparation



Installation

