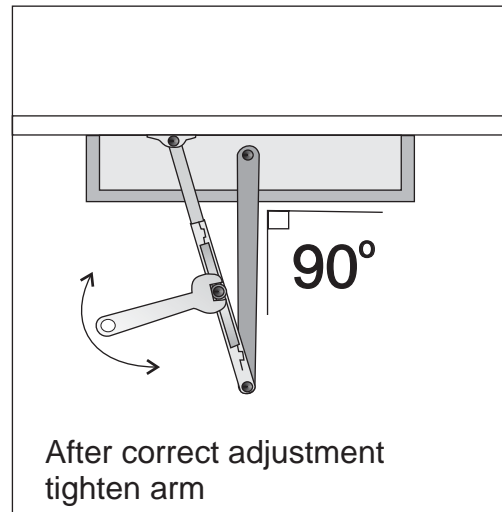
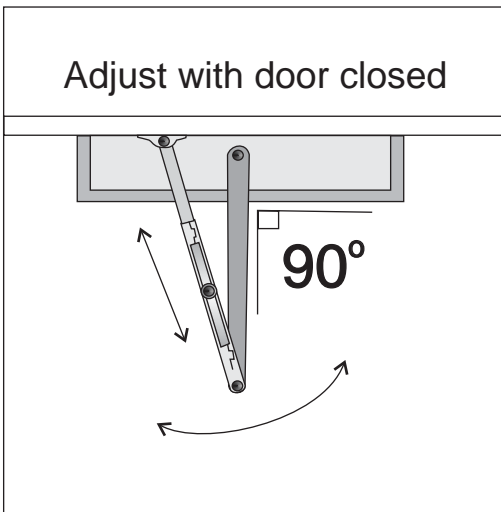
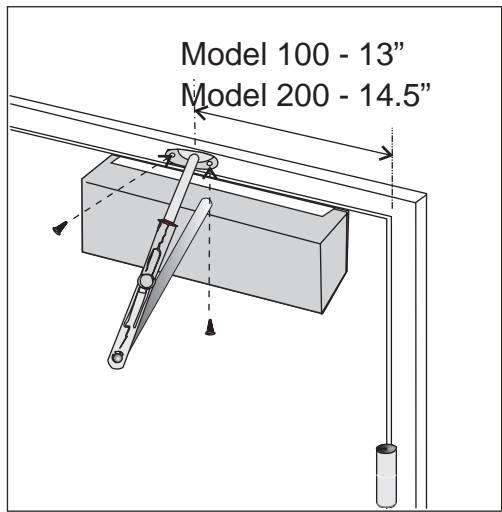
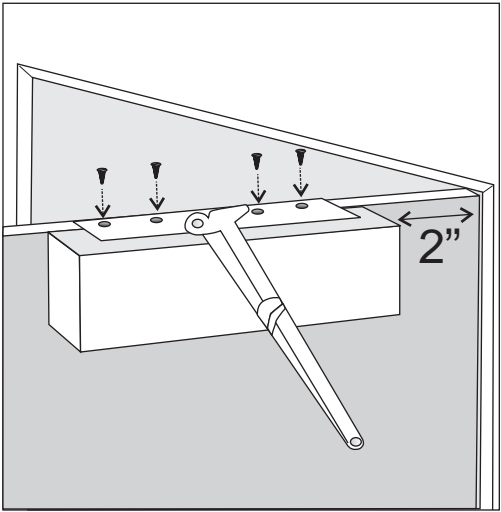
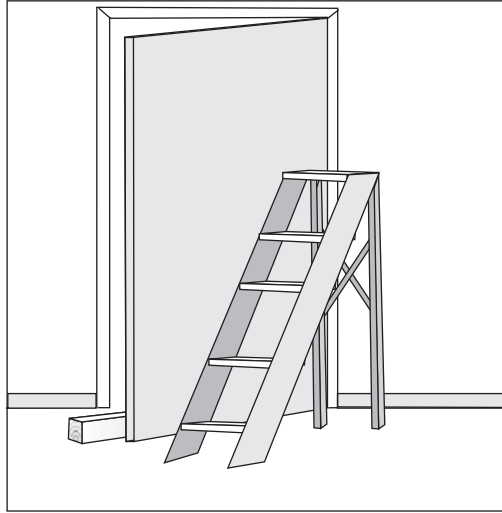
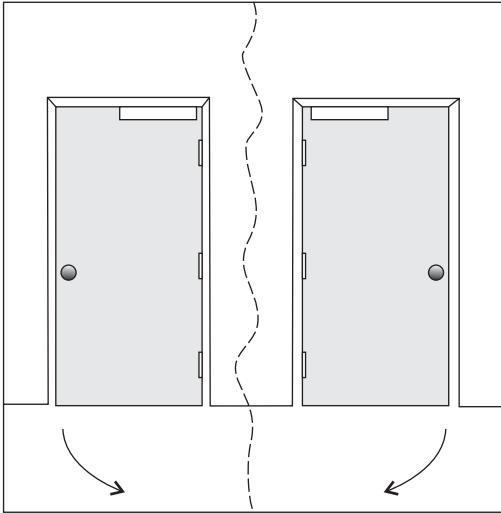
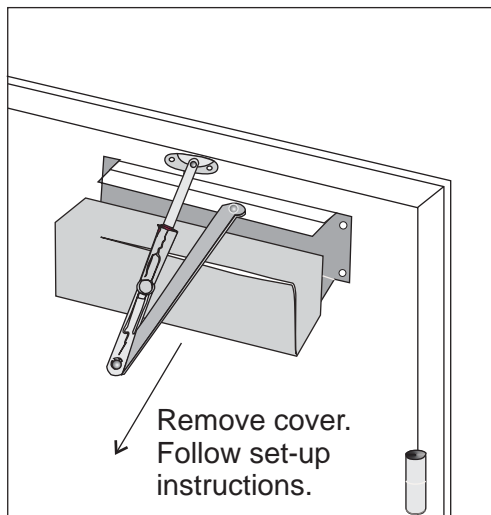
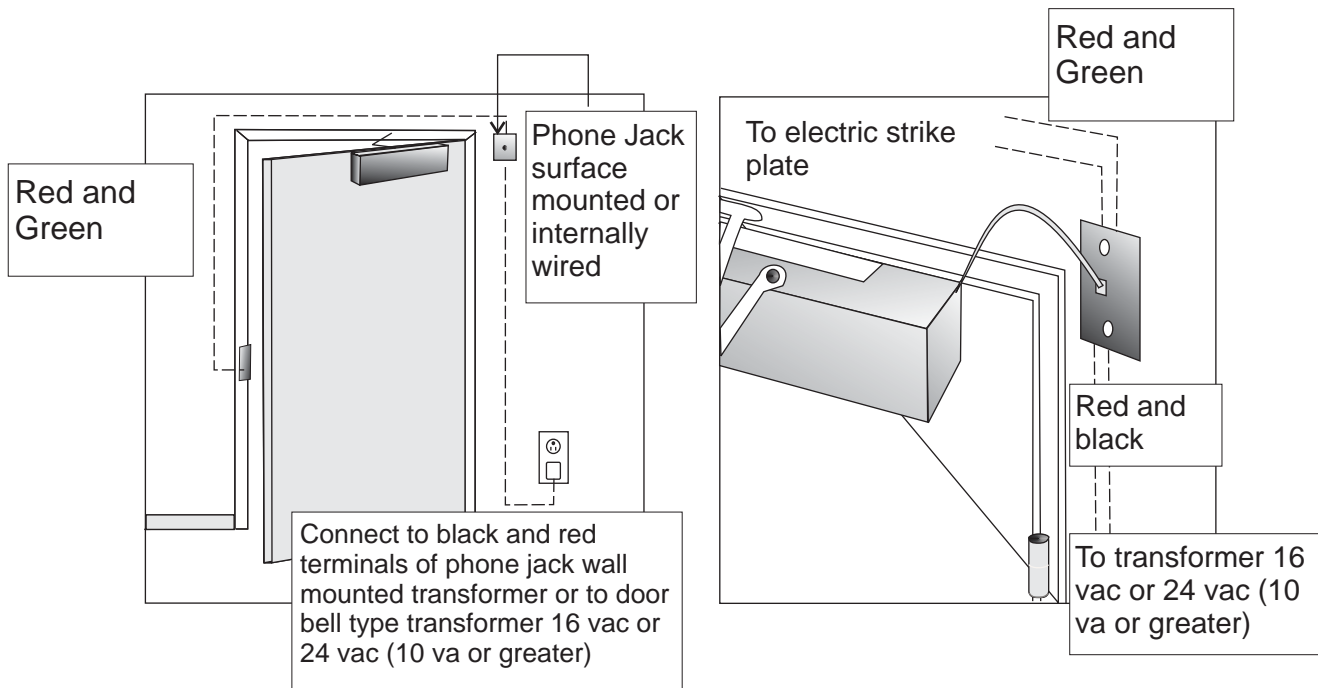


NOTE: For Model 100 Operator (Residential Access) mount arm 13" from hinge.
For Model 200 Operator (Public Access) mount arm 14.5" from hinge.





IMPORTANT

After installing operator on door, remove cover and carefully follow set-up and adjustment instruction located on inside cover.